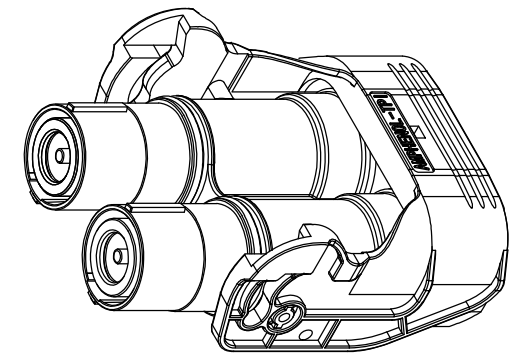
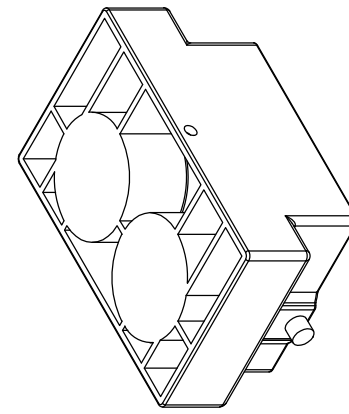
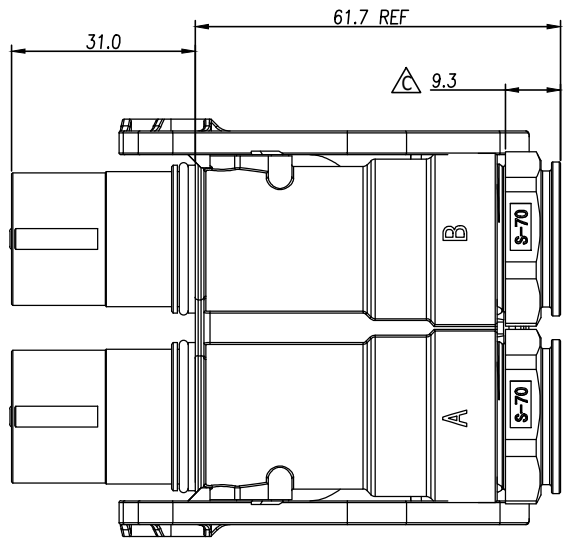
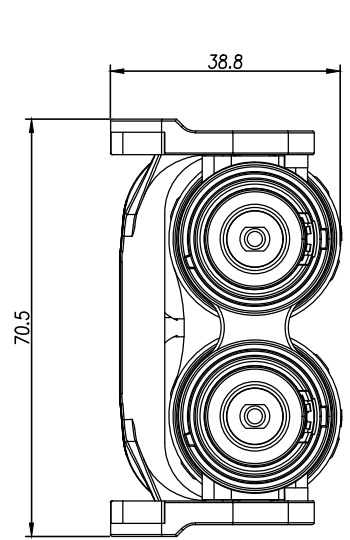


THIS DRAWING IS SUPPLIED FOR INFORMATION ONLY. DESIGN FEATURES, SPECIFICATIONS AND PERFORMANCE DATA SHOWN HEREON ARE THE PROPERTY OF THE AMPHENOL CORPORATION. NO RIGHTS OF REPRODUCTION ARE IMPLIED. ALL DIMENSIONS ARE SUBJECT TO NORMAL MANUFACTURING VARIATIONS.

Customer Drawing

# 插头 - 非屏蔽 PLUG - UNSHIELDING CABLE

REVISIONS						
REV	ZONE	ECO	DESCRIPTION	DATE	BY	APPR
A	--	--	INITIAL RELEASE	09/23/15	RW	TS
B	--	--	Add dust cap	01/15/16	RW	GX
C	--	--	更改尾盖	10/19/16	SW	RW
D	--	--	增加线缆备注	03/04/19	Steven	JL

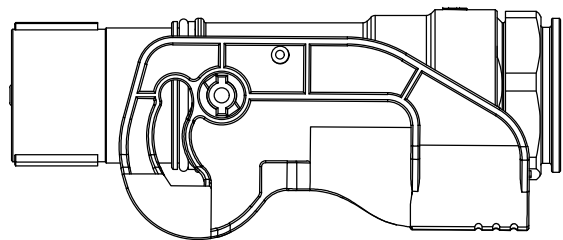


Standard Part List (With HVIL)

P/N	Model NO.	Polarization
AC-HA002446	PL482X-301-35	X
AC-HA002634	PL482Y-301-35	Y
AC-HA002637	PL482X-301-50	X
AC-HA002638	PL482Y-301-50	Y
AC-HA002641	PL482X-301-70	X
AC-HA002642	PL482Y-301-70	Y

Standard Part List (Without HVIL)

P/N	Model NO.	Polarization
AC-HA002635	PL482X-300-35	X
AC-HA002636	PL482Y-300-35	Y
AC-HA002639	PL482X-300-50	X
AC-HA002640	PL482Y-300-50	Y
AC-HA002643	PL482X-300-70	X
AC-HA002644	PL482Y-300-70	Y



## 订购信息 Ordering Information

规格参数 (Spec.):

1. 工作温度 Operating temperature: -40° C~+125° C.
2. 额定电流 Current rating (Connector Only): 35mm<sup>2</sup>-150 A. 50mm<sup>2</sup>-200A. 70mm<sup>2</sup>-250A.
3. 额定电压 Operating voltage: 1000 VDC.
4. 耐电压 Dielectric withstanding voltage: 5000 VDC.
5. 防护等级 Protection class: IP67 & IP2X.
6. 机械寿命 Mating cycle: 100 Min.
7. 带自动二次锁扣 Automatic secondary lock.
8. 带高压互锁 Electrical interlock (HVIL).
9. 对配插座见图纸 Mating receptacle see drawing: PL082-300.

PL48 2 X - 30 1 - 70

键位及颜色 Key	高压互锁 HVIL	线缆大小 Cable Size
"X" Key	0, 不带互锁 No HVIL	"70"=70mm <sup>2</sup>
"Y" Key	1, 带互锁 With HVIL	"50"=50mm <sup>2</sup>
		"35"=35mm <sup>2</sup>

	Amphenol Technical Products International Asia.				
	第三角投影 THIRD ANGLE PROJECTION	页面 SHEET	幅面 SIZE	版次 REV.	比例 SCALE
签名 SIGNATURE	日期 DATE	UNLESS OTHERWISE SPECIFIED			DWG NO: PL482-300
制图 DRAWN	Steven	1 of 1	A3	D	CUST PART #: N/A
审核 CHECKED		1) All dimensions are in metric(mm). 2) Tolerances are as follows: 0 PL DEC ±1.00 1 PL DEC ±0.50 2 PL DEC ±0.20			CUST REV. -
批准 APPROVAL		Angles ±1°			